

# AMPAG BOXER II-Y

STRAPPING MACHINE

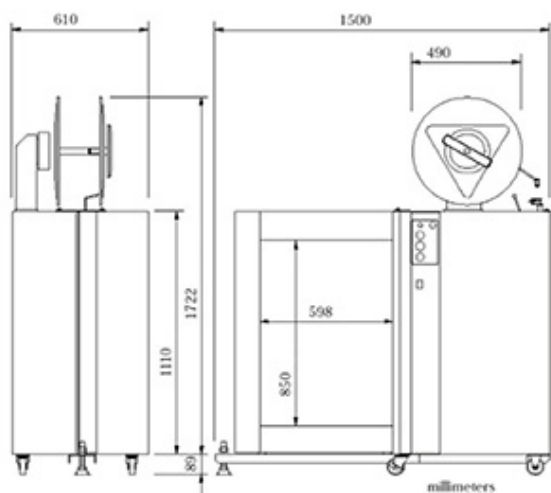
**CYKLOP**<sup>®</sup>  
GLOBAL PACKAGING SOLUTIONS

STRAPPING  
WRAPPING  
CODING  
TAPING

The Ampag Boxer II-Y is a strapping machine with a laterally positioned strapping head, which reduces the impact of dust, sand and dirt. The strap tension is easily adjustable from 50 - 450 N, making the Ampag Boxer II-Y suitable for strapping a wide range of products. This machine is also easy to integrate into a fully automatic packaging line. The machine has built-in DC motors, so that it only emits sound when making the strapping.

### Advantages

- For PP strap: 5, 9, 12, 16 mm
- Direct drive by DC motors
- Up to 50 cycles per minute
- Easy strap insertion in the event of an injection fault
- Side sealer – resistant against dust, sand and dirt
- Automatic re-feed function in the event of an ejection fault
- Adjustable strap tension
- Quick to heat (within 25 seconds)
- Easy to integrate in (existing) packaging lines



### Technical specifications

Speed	Up to 50 cycl./ min
Minimum package size	30 x 80 mm
Arch size	Width: 400 - 1600 mm Height: 600 - 2250 mm
Strapping material	Polystrap 5, 9, 12, 15,5 mm
Coil	Core diameter: 200 mm Outer diameter: 490 mm Width: 190 mm
Strap tension	50 – 450 N
Strapping	Heat seal
Noise	78-85 dB(A)
Warming up	Approx. 30 sec.
Voltage	230 V, 50 Hz, 1 Ph., 0,65 kVa

Cyklop International  
 Industriestraße 133, D-50996 Köln  
 (Rodenkirchen)  
 Postfach / P.O. Box 50 12 20,  
 D-50972 Köln (Rodenkirchen)

+49 (0) 2236 6020  
[www.cyklop.com](http://www.cyklop.com)  
[info@cyklop.com](mailto:info@cyklop.com)

